

RAXAR  
**BULL BAR**  
TO SUIT MITSUBISHI  
TRITON MR



**RAXAR**

**PLAY HARDER.**

RAXAR Bull Bars, 4WD accessories and touring gear is for those who are passionate about their rig, enjoy the outdoors and take pride in their 4WD's appearance.

RAXAR specialise in high-quality 4x4 accessories and equipment for off-road vehicles that is at the cutting-edge of design and innovation. Our growing range of products is tough, reliable, functional and designed to meet your needs.

Whether it be on the worksite, the street, or your next adventure, let RAXAR take you there in style.

# MITSUBISHI TRITON MR 2019-ON

DEVELOPED TO PUSH THE BOUNDARIES OF BOTH STYLE AND FUNCTIONALITY.

## KEY FEATURES

- ADR compliant.
- Bumper replacement design.
- Underbody bash plates.
- 4-tonne rated tow points.
- Fog lights included for applicable models.
- Full winch compatibility.
- High lift jacking points.
- Split pan design for added strength and air flow.
- Inner wing braces for additional strength.
- E-coated and Powder coated matte black for a durable finish.
- Factory parking sensor compatible where applicable.
- Compatible with tech pack safety features.
- 2 antenna tabs.
- Driving light mounting provisions.

- Looped: Weight of Bar Assembly Approx 89Kg
- No loop: Weight of Bar Assembly Approx 80Kg



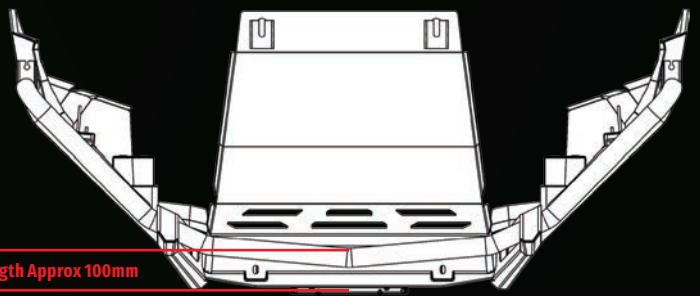
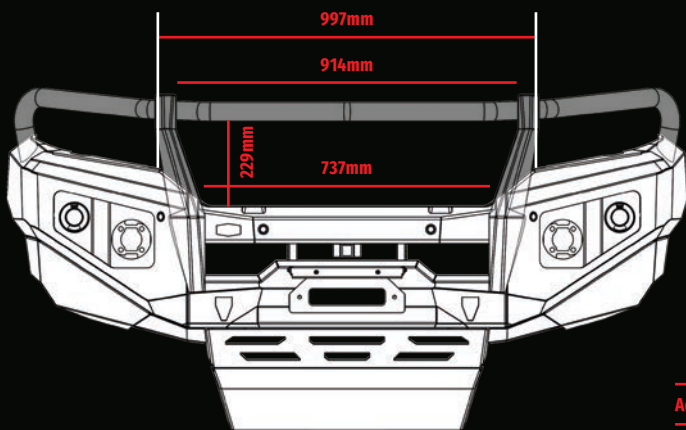
**2**  
YEAR  
WARRANTY



LOOPED



NO LOOP



Added Length Approx 100mm