

RAXAR
BULL BAR
TO SUIT
SUZUKI JIMNY



RAXAR

PLAY HARDER.

RAXAR Bull Bars, 4WD accessories and touring gear is for those who are passionate about their rig, enjoy the outdoors and take pride in their 4WD's appearance.

RAXAR specialise in high-quality 4x4 accessories and equipment for off-road vehicles that is at the cutting-edge of design and innovation. Our growing range of products is tough, reliable, functional and designed to meet your needs.

Whether it be on the worksite, the street, or your next adventure, let RAXAR take you there in style.

SUZUKI JIMNY 2018-ON

DEVELOPED TO PUSH THE BOUNDARIES
OF BOTH STYLE AND FUNCTIONALITY.

KEY FEATURES

- ADR compliant.
- Bumper replacement design.
- Three-Piece front underbody protection plate.
- 4-tonne rated tow points.
- Retains Factory Fog Lights.
- Full winch compatibility.
- High lift jacking points.
- Split pan design for added strength and air flow.
- Inner wing braces for additional strength.
- E-coated and Powder coated matte black for a durable finish.
- Factory parking sensor compatible where applicable.
- Compatible with tech pack safety features.
- 2 antenna tabs (Looped Bar only).
- Driving light mounting provisions.



- **Looped:** Approximate added weight to vehicle **51kg**
 - **No Loop:** Approximate added weight to vehicle **44.5kg**
- 2 YEAR WARRANTY**

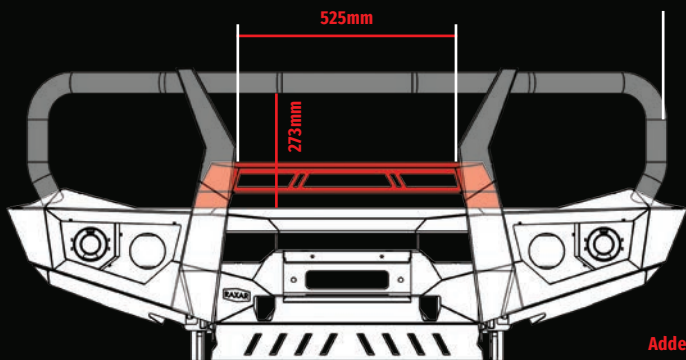


LOOPED



NO LOOP

*No Loop Bull Bar comes with a 21 Inch Roadvision Light Bar.



Added Length Approx 90mm