

RAXAR
BULL BAR
TO SUIT TOYOTA
PRADO 250 2025



PLAY HARDER.

RAXAR Bull Bars, 4WD accessories and touring gear is for those who are passionate about their rig, enjoy the outdoors and take pride in their 4WD's appearance.

RAXAR specialise in high-quality 4x4 accessories and equipment for off-road vehicles that is at the cutting-edge of design and innovation. Our growing range of products is tough, reliable, functional and designed to meet your needs.

Whether it be on the worksite, the street, or your next adventure, let RAXAR take you there in style.

TOYOTA PRADO 250 2025

DEVELOPED TO PUSH THE BOUNDARIES
OF BOTH STYLE AND FUNCTIONALITY.

KEY FEATURES

- Compatible with GL, GLX, VX, Altitude and Kakadu models.
- ADR compliant.
- Bumper replacement design.
- 3-piece front underbody protection plates.
- 4-tonne rated recovery points.
- Retains factory fog lights.
- Full winch compatibility.
- High lift jacking points.
- Split pan design for added strength and air flow.
- Inner wing braces for additional strength.
- E-coated and powder coated matte black for a durable finish.
- Factory parking sensor compatible where applicable.
- Compatible with tech pack safety features.
- 2 antenna tabs.
- Driving light mounting provisions.

● Approximate added weight to vehicle: 73kg

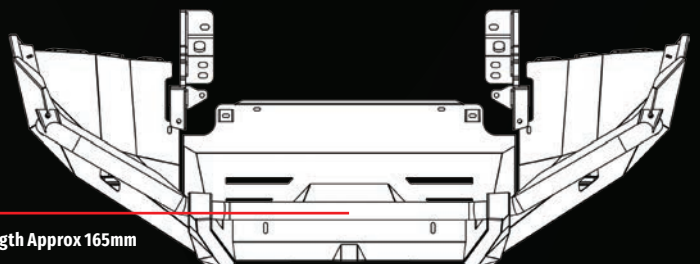
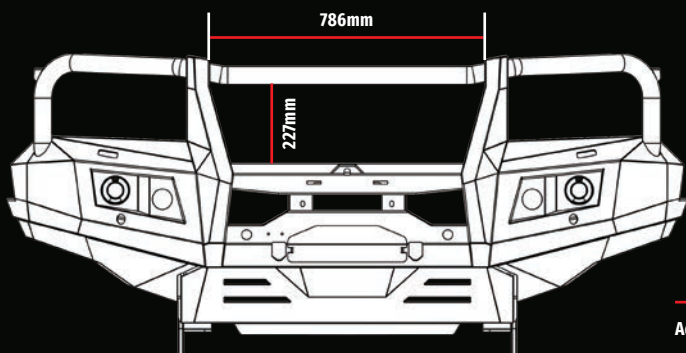


VX / KAKADU



GX / GXL / ALTITUDE

2 YEAR
WARRANTY



Added Length Approx 165mm